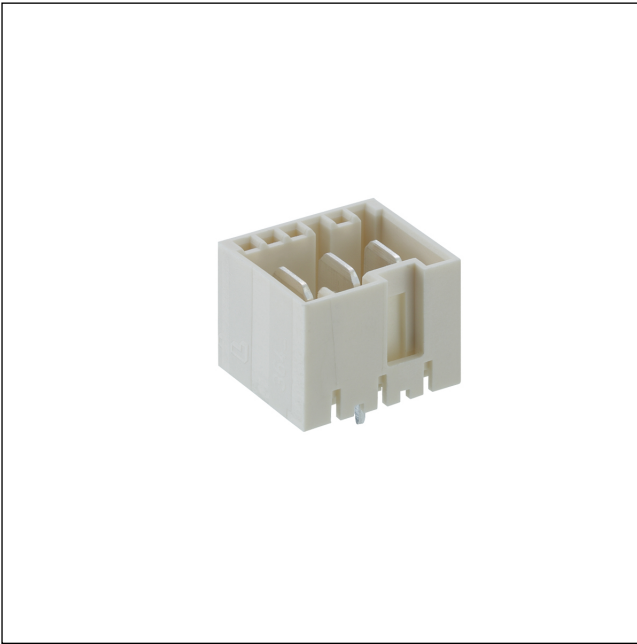


36

364197 V167

RAST 5 connectors, pitch 5.0 mm



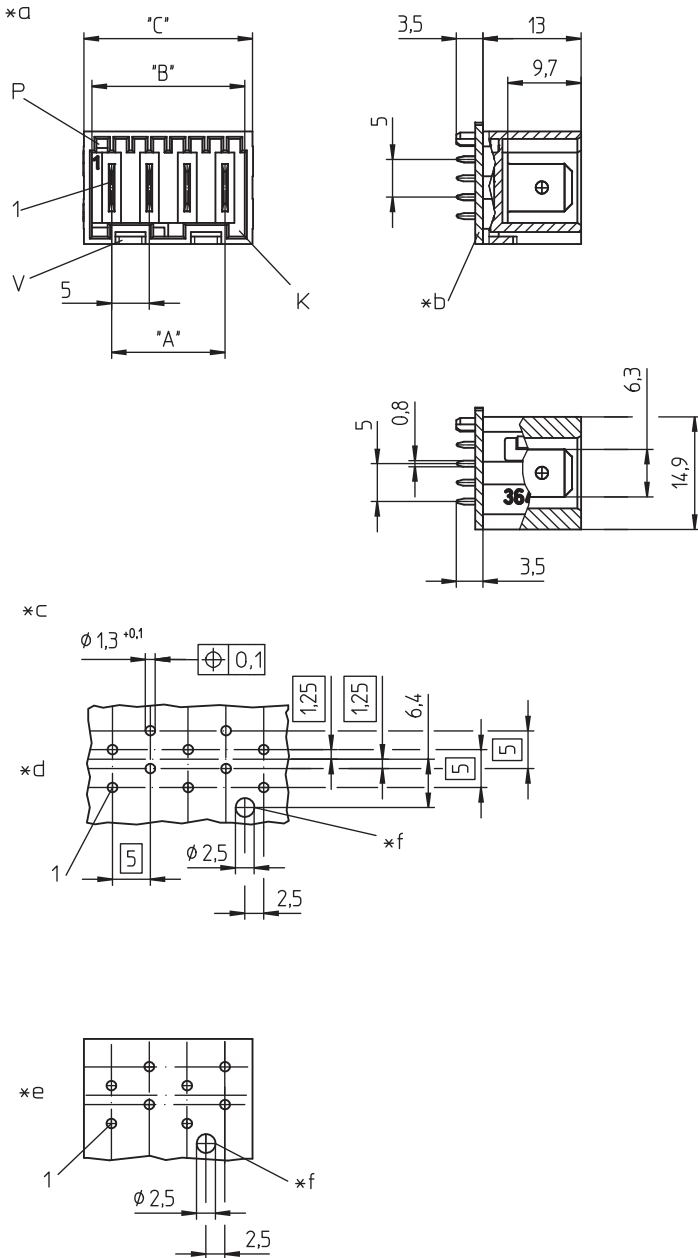
RAST 5 tab header, upright, with positioning spigot,
pottable version, contact tab silvered

Approvals:



36

364197 V167



Environmental conditions

Temperature range -40 °C/+120 °C

Materials

Insulating body PA GF, V-0 according to UL94¹
 Contact tab CuZn, pre-nickel and silver-plated
¹ component glow wire resistant (GWT 750 °C), testing acc. to IEC 60695-2-11, assessment acc. to IEC 60335-1 (flame < 2 s)

Mechanical data

Contact tab 6.3 x 0.8 mm according to DIN 46244
 Keying proposals at www.lumberg.com

Electrical data (at T_{amb} 20 °C)

Rated current 16 A (T_{amb} 70 °C)
 Rated voltage 250 V AC (VDE, cULus)
 500 V AC (cULus)
 Material group IIIa (IEC)/2 (UL) (CTI ≥ 250)
 Creepage distance 4,2 mm
 Clearance 4,2 mm
 Insulation resistance > 10 GΩ

Associated products

Counterparts
 ☞ 3625 ☞ 3625 01

-
- *a K = keying
P = positioning
V = space for lock
 - *b printed circuit board
 - *c printed circuit board layout, solder side view
 - *d uneven pole numbers
 - *e even pole numbers
 - *f bore hole for positioning spigot

36

364197 V167

Designation	Pole Number	PU (Pieces)	MDQ (Pieces)	Dimensions		
				A (mm)	B (mm)	C (mm)
364197 02 V167	2	250	1000	5	10.2	12.3
364197 03 V167	3	250	1000	10	15.2	17.3

Designation to be completed by further details (e.g. for keying, color or material options).

Packaging:

in bulk, in a cardboard box